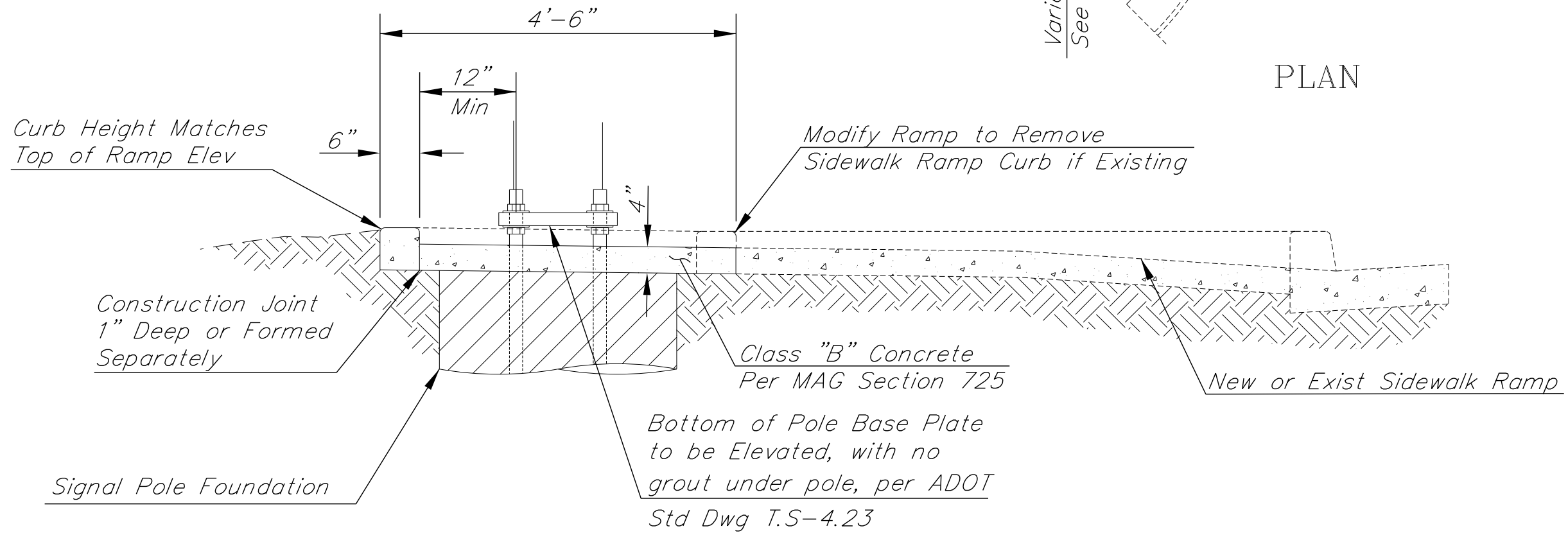
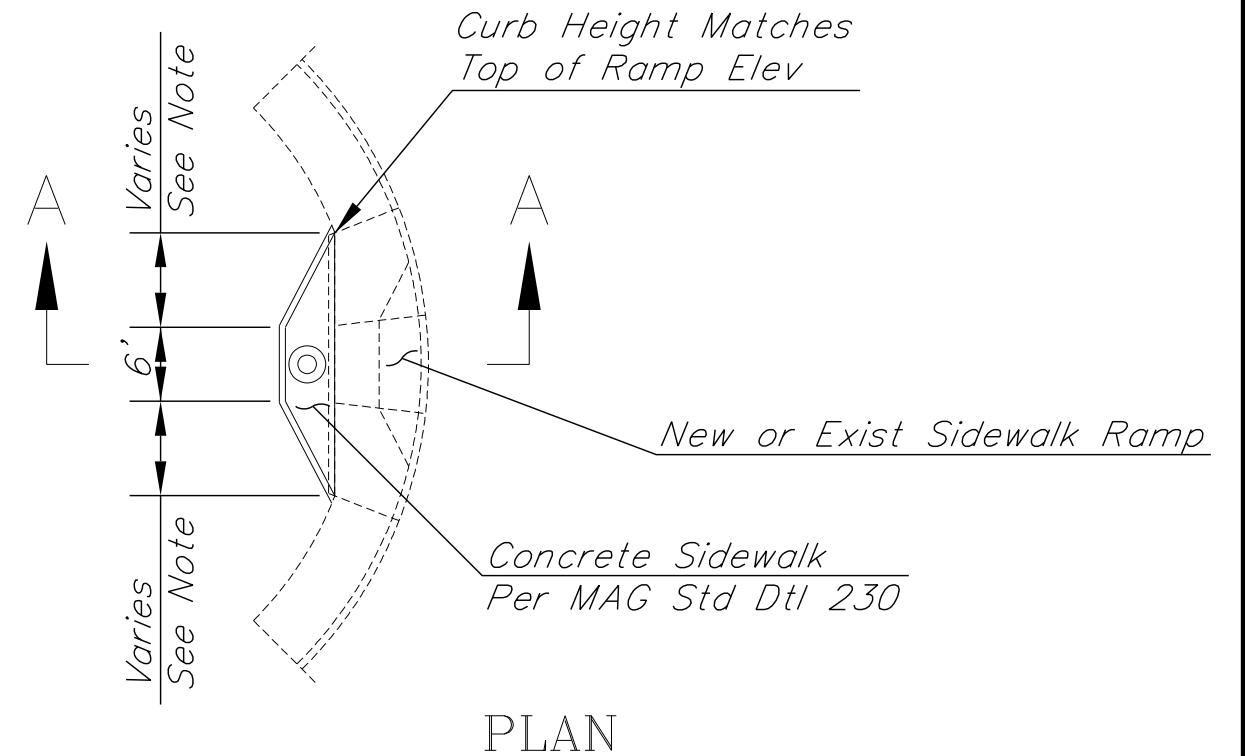


NOTE:

Concrete Apron Location is Controlled by the Location of the Signal Pole Foundation. Apron Adjustments May be Necessary to Accommodate Pole Foundation Location and Orientation. Changes are Considered Incidental to this Item.



REV. 06/2016



**TOWN OF QUEEN CREEK
STANDARD DETAIL**

**SIDEWALK RAMP APRON
FOR TRAFFIC SIGNAL POLES**

TS-05