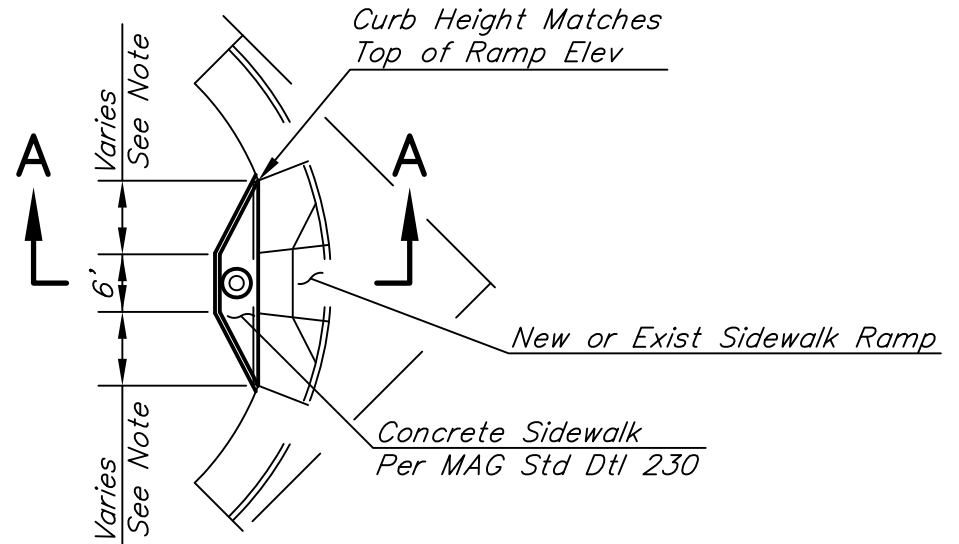
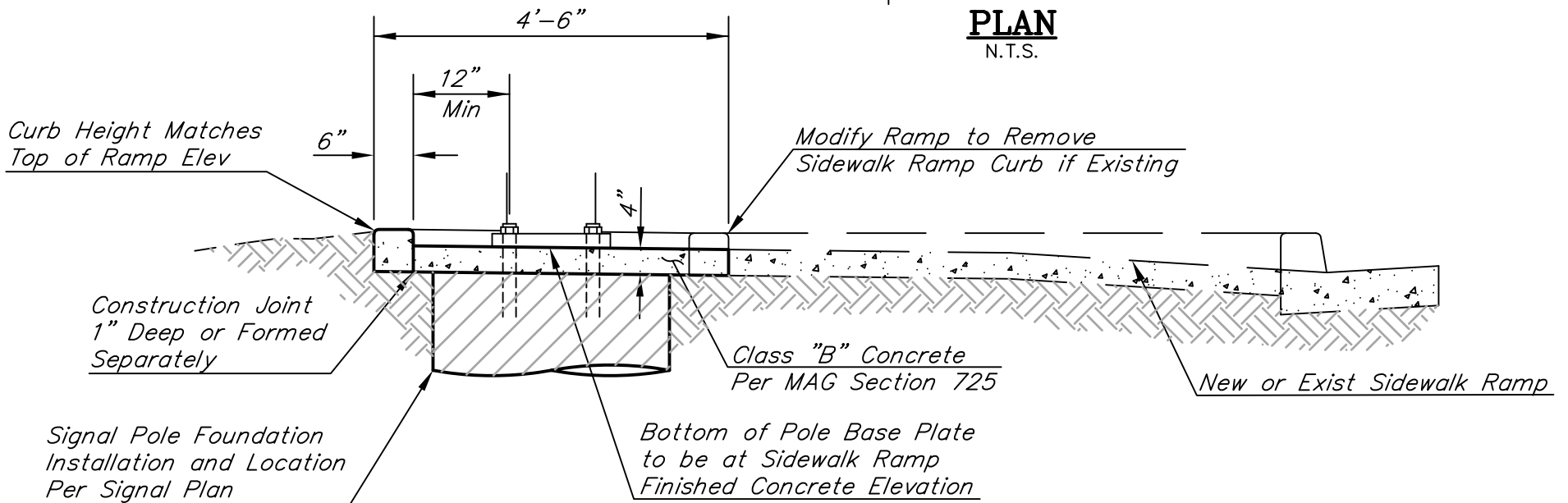


**NOTE:**

Concrete Apron Location is Controlled by the Location of the Signal Pole Foundation. Apron Adjustments May be Necessary to Accommodate Pole Foundation Location and Orientation. Changes are Considered Incidental to this Item.



**PLAN**  
N.T.S.



**SECTION A-A**  
N.T.S.

ENGINEERING MANAGER \_\_\_\_\_ DATE \_\_\_\_\_



**TOWN OF QUEEN CREEK**  
**STANDARD DETAIL**

**SIDEWALK RAMP APRON**  
**FOR TRAFFIC SIGNAL POLES**

DETAIL NO.  
**TS-08**